

# PHOENIX Quadro

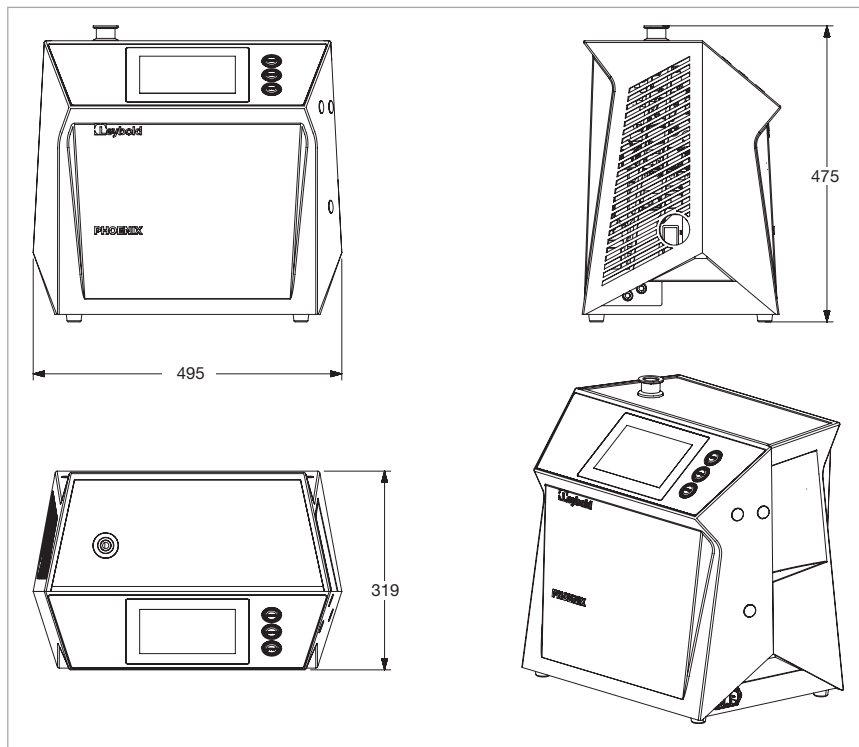


The PHOENIX Quadro is a portable helium leak detector, which can be used in many different applications. The accurate measuring system and the intuitive operation of the PHOENIX Quadro ensure simple and highly reliable leak detection. The PHOENIX Quadro dry has a dry-running backing pump and thus an oil-free pump system.

When it comes to applications that require oil-free pumping, the PHOENIX Quadro dry is therefore the ideal choice for reliable and efficient leak detection.

## Advantages to the User

- Detects even the smallest leak quickly and reliably
- Very fast operational readiness
- Extremely short response times
- Rapid decontamination time in case of helium contamination
- Very high detection sensitivity
- Convenient remote control via smartphone or tablet PC without software installation
- Variety of interfaces for optimal device communication
- Innovative color touch display
- Long life span of the components
- Oil-free pumping system with the PHOENIX Quadro dry
- Internal data memory as well as simple data output via USB



Dimensional drawing PHOENIX Quadro (Dimensions in mm)

## Technical Data

## PHOENIX 4

	Quadro	Quadro dry
Minimum detectable helium leak rate Vacuum mode Sniffer mode	mbar x l/s mbar x l/s	$\leq 5 \times 10^{-12}$ $< 1 \times 10^{-9}$ <sup>1)</sup>
Minimum detectable hydrogen leak rate Vacuum mode Sniffer mode	mbar x l/s mbar x l/s	$\leq 1 \times 10^{-8}$ $< 1 \times 10^{-7}$
Units of measurement (selectable) Pressure Leak rate Sniffer mode		mbar, Pa, atm, Torr mbar x l/s, Pa x m <sup>3</sup> /s, Torr x l/s, atm x cc/sec, sft <sup>3</sup> /yr ppm, g/a eq, oz/yr eq
Leak rate measurement range	mbar x l/s	$1 \times 10^{-12}$ to $1 \times 10^{-1}$
Measurement ranges		12 decades
Max. inlet pressure	mbar (Torr)	15 (11.25)
Pumping speed during the evacuation process 50 Hz 60 Hz	m <sup>3</sup> /h (cfm) m <sup>3</sup> /h (cfm)	2.5 (1.5) 3.0 (1.8)
Pumping speed (helium) at the inlet GROSS mode FINE mode ULTRA modes	l/s l/s l/s	0,4 1.2 > 3.1
Time constant of the leak rate signal (blanked off, 63% of final value)	s	< 1
Run-up time (after starting)	s	$\leq 110$
Mass spectrometer		180° magnetic sector field
Ion source		2 filaments; iridium/yttria-oxide
Detectable masses	amu	2, 3 and 4
Inlet port	DN	25 ISO-KF
Dimensions (W x H x D)	mm	495 x 475 x 318
Weight	kg (lbs)	41 (90.39)      35 (77.16)
Available languages		English, German, Chinese, Japanese (Katakana), Korean Russian, French, Italian, Spanish and Polish

## Ordering Information

## PHOENIX 4

	Quadro	Quadro dry
	Part No.	Part No.
PHOENIX Quadro EURO version 230 V, 50/60 Hz	<b>250000V02</b>	-
PHOENIX Quadro US version 115 V, 60 Hz	<b>251000V02</b>	-
PHOENIX Quadro Japan version 100 V, 60 Hz	<b>251100V02</b>	-
PHOENIX Quadro 100 – 240 V, 50/60 Hz	-	<b>250001V02</b>

<sup>1)</sup> Depending on the used sniffer line and site conditions. Leakage rate signal after zero:  $1 \times 10^{-8}$  mbar x l/s when using the sniffer line SL 300 or SL 301

For further accessories see para. "Accessories for PHOENIX Quadro, PHOENIX Magno and PHOENIX Vario"